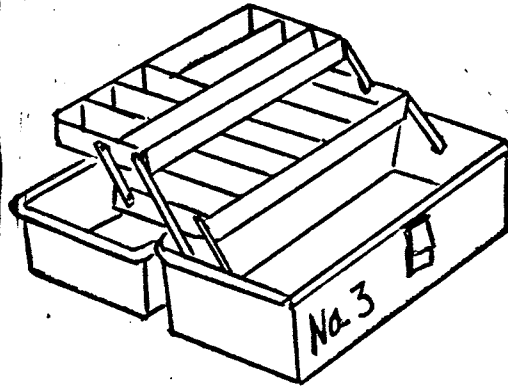


NBAD



Tackle Box

No. 3 National Bass Association of the Deaf March 1, 1981

EVERY THING IS IN IT OR IT ISN'T BASS NEWS



PROUD ANGLERS WIN - In a recent Lake Eufaula Tournament of the National Bass Association of the Deaf, the proud team winners include, front row left to right, J.B. Thoman and Harry Trahan, first place winners; back row left to right, 3rd place winners, Randolph Poteat and Denzil Fewell; 2nd. place winners Carl Dupree and Gene Amons.

National Bass Association of the Deaf had completed a successful three-day tournament on Lake Eufaula. Deaf fishermen from 20 states and two from Canada competed in the three-day event last June 17,18,19, 1980,an annual national event for members of the Deaf Bassmasters.

Larry Colombo led a seminar for the fishermen on Tuesday night at Chewalla Marina. His interpreters were Mr. and Mrs. Dean Ray who are experts in signlanguage for the Deaf. Colombo said the Estes family and Larry Whittington were instrumental in getting the tournament to Eufaula. (Eufaula, Ala. Newspaper)

The 5th annual Bass Tourney which was held at Chewalla Marina, Eufaula, Ala. on June 17, 18, 19, 1980 was a great success and now it is a page of NBAD's History with it goes new records for the largest number and total weight of bass caught during the three days. The water was rather below its normal stage and the days were very hot but the bass cooperated with us.

1980 Team Champs were Harry Trahan and J.B. Thoman of Louisiana. Harry Trahan was also on the 1979 champion team. Will he repeat it at the 1981 tourney at Lake Livingston, Texas? Good luck Harry! If you will go thru the NBAD Tourney records, you will note that most of the champs and the ones in the top 15 are usually from Louisiana. They must have good senses as a bass does because they know where the bass are hanging out. To win you must learn on how to out smart the bass.

Mobile Bass Club of the Deaf, the tourney host deserved to be appreciated because they did a great job on preparing the tourney. And the friendly people of Eufaula, Ala. are not forgotten they also assisted the host club. Our hats are off to them.

Eufaula Bass Club of the Deaf was established in Feb. 1980 prior the 5th annual tourney. They earned a great experience from assisting the host club and from participating in the tourney. With this experience, we hope that they will remain active and later they can qualify to bid to host one of the tourneys in the future.

Luicus and Norman Walker, father and son team did not win any of the bass trophies but they walked off with the Sportsmanship trophy. Each received a sportsmanship trophy. They were interrupted on one of the tourney days and provided assistance to a participant's disabled bassboat, (out of gasoline) by towing them back to the headquarters.

When is the best time to go fishing? We believe that the best time is when we can get off to go. Picking the right time was pretty simple for oldtime bass fishermen. They wanted to be on the water casting a plug "when the cows are up grazing". If he spots a trutle hot-footing across the highway, a fishing expert will start wishing he was fishing.

These ideas might seem to be a little superstition and backwoodish, but long before anyone hung a tag on it - these nature watchers used "signs" to fish at the best time.

LAKE LIVINGSTON, TEXAS

June 16-17-18, 1981

Charles Marsh elected to NBAD presidency



Charles Marsh, Jr. of Olathe, Kan. didn't win any of the prize money or trophies awarded at the fifth Annual NBAD Tourney.

Marsh, however, may have landed the Tournament's most coveted award, the Presidency.

He has been a member of NBAD since its origin in 1976 and has been very active in developing good tournament rules, by-laws and the Constitution.

New NBAD Officers elected at the 1980 Tourney are Charles Marsh, President, Raymond Steele, Vice President, Anthony Mowad, Sec'y-Treasurer, Medford Magill, Publicity Director and Denzil Fewell, 1981 Tourney Chairman.

President Marsh has been a member of NBAD since its origin in 1967 and has been active in developing good tournament rules and bylaws, and the constitution. Prior to the election Marsh asked President Magill, his good friend, if he would not mind to run against him. President Magill said come on, I do not mind it because it is about time that he will be striked out as it would be his third term. And the members need a new leader and the longer I remain I may look alike an old lunker. Marsh said after winning the election that he felt alike just walking in because it took him four years to wait for his turn.

Besides being NBAD President, Marsh coached the Kansas School for the Deaf girls Volleyball team to a successful season with 18 - 5 mark last year and won the honor of Most Outstanding Volleyball team in the Nation by the Sports News of the Deaf for two successive seasons and are hoping for a third.

Hey! President Marsh, how about coaching us bass fishermen to be better fishermen and how to out smart the lunkers!

How much sense does a bass have?

They have got five; sight, hearing, smelling, feel, and taste. However, by its predatory nature it uses sight and sound primarily to feed.

The Publicity Director of the first two Tackle Box News, Fred Murphy needs to be applauded for his fine work on getting the first two issues, No. 1 and No. 2 NBAD Tackle Box News published and disseminated to members and Clubs prior the 1979 and 1980 tourneys. Fred, this editor is sorry to say that he does not agree on your comments on the last issue where you stated that the first issue did not create very much enthusiasm among the members because of lack of incoming response for the issue. PST! maybe they are as stupid as a bass, which gets excited and enthusastic over some nice hand outs alike the Tackle Box News and are too scared to response on how they enjoyed the issue. Or maybe they won't set aside their reel and rod for a pen and a pad for a few minutes. CONGRATULATIONS FRED

HIGH LIGHTS of the 1980 Tourney was the appearance of a well known Bass Professional, TOM MANN. He showed up during one of the weight-in days and posed with members for photographs.

A visit to Tom Mann's sportshop and aquarium. In the aquarium there are several big lunkers and several other spices which came from lake Eufaula. There was a gar fish which was the largest spice in the aquarium. In Louisiana you can find gar twice the size, but do not let that scare your fishing interest down the drain. Besides the aquarium, there are millions of different kinds of lures and artificial worms which were designed by Tom Mann. Ask Tom if they will guarantee a catch every time you use one.

We are greatly indebted to Tom Mann because his company donated enough packages of artificial worms and lures for every participant. Thanks Tom!

There were more than 200 fans to cheer the weary bassmen at the weight-in scales. Among the fans who attracted much attention was a 3 year old deaf female Dalmantian called Whiffle III, owned by Mr. and Mrs. Benjie Estes. The original owner bought her for \$150.00 and resold her to the Estes for only \$10.00 upon finding that she was too "dumb". With the Estes patience and skill, they trained her to read several signs alike for Rest Room, Drive, Roll over, Quiet down, Bed, Sit, Toys, Food Shake hands, get a blanket and many other signs. She also feeels for sound alike we do and she depends on her closest friend, a Siamese cat, Mao, to pick up on where the sound is coming from. Once she got lost in the woods because she wandered off and out of sight. After that incident she will not get out or away from her master.

Patrick Stuckey showed a great sportsmanship because he caught the largest lunker, 6 lb - 14oz and released it after recording its weight. PST! wasn't he (Stuckey) hungry?

Where does a Bass live? Remember the joke about, "where does King Kong live?" Well, the largemouth bass is just about like the big ape - any place he gets ready to live. Largemouth bass are found in 49 of our 50 states with only Alaska being left out. You can fish for him just about any place you can find water, cover and food.

Texas with new lakes like Livingston and Conroe near Houston, and "red hot" Toledo Bend on the Louisiana border, and near by Sam Rayburn seems to be the Promise Land for bass fishermen at this point. So watch out Lake Livingston, here we come.

There was a bass fisherman who participated in the last 3 or 4 NBAD tourneys and usually ran into some kind of boat trouble, alike motor trouble and at one time he almost turned his boat into a large live-well and almost sunk. But that trouble did not water down and turn off his interest in competing in the contest.

Prior to the conclusion of the 1979 NBAD tourney Mobile Bass Club won the bid to hold the 1980 tourney and he was elected to serve as the General Chairman for the 1980 Tourney.

Another trouble and difficult time faced him and his committee. It was a hurricane which made a wide path of destruction thru Mobile. Good thing most of his members and he survived. But this incident did not stop them from preparing and performed their duties for the 1980 NBAD tourney at Lake Eufaula, Ala.

Once again prior to the conclusion of the 1980 Tourney he was easily elected to the Vice Presidency. That fellow is Raymond Steele. CONGRATULATIONS Raymond. We are in no doubt that you can serve in the Vice President office and carry out the duties with your best abilities.

Out going President Magill who served in that capacity for the last three years, did not retire from NBAD officer's activities. He was elected to serve as NBAD's Publicity Director. This issue is your first one to be published by Magill and your response is needed on whether you like it or not. The feed back is important as your blood is to keep the Tackle Box News alive.

NBAD's Sec'y-Tres, Anthony Mowad is still serving on NBAD Executive Board since its origined in 1976. Before the merge of Sec'y-Tres offices, he was the treasurer.

Anthony is a dedicated supporter of NBAD and he knows how to divide his busy schedule between NBAD and running his Hardware - Sportshop. Also he is serving on many other ~~organi~~ Organizations in an official capacity. The only time that he does not have, is to grab a rod and reel to participate in the fishing contest. Maybe he is staying out of the cometition because he has a secret on getting all of the lunkers and he does not want to disapoing the participants.

BBAD Tackle Box News

List below are fellow members who "did it" for five straight NBAD tourneys. The spiraling cost of living and gasoline did not stop them from going.

Anthoy Mowad La.
Medford Magill La.
Charles Marsh Kan.
Gene Amons La.
Morris Porter Tex.
Jerry Mikus Tex.
Homer West Tex.
Harry Trahan La.
Nick LeFors, Sr. La

Robert Southwell Tex
Norman Walker La.
Patrick Stuckey Tex.
Dallas P. LeBlanc La
Henry Harvard Tex
John W. Lee Tex.
Wright Shaneyvelt Ala.

If some of you felt that your name was left out, it is because your name was left off the records or was misplaced and some names do not have first names, I hope that you will accept my apology for leaving your name off.

At the last Tourney at Lake Eufaula, Ala. 1981 chairman, Denzil Fewell announced that the next host, Austin Club of the Deaf will guarrantee the following:

- \$1,000 and trophies to team championship
- \$100 for Daily prizes (1st. 50, 2nd 30, 3rd 20)
- \$50 for heavy stringer (per day or at final!!)
- \$50 for the largest luncker per day

Soon we should receive some flyers from the host to be more specific on the additional prizes. At the usual NBAD Tourneys \$2,000 in prizes, based on 100 entries, are offered but at the 1981 tourney it will be more because of the hosts guarrantee.

Austin Bass Club must had the right bait to lure the interest of NBAD members to cast their vote for them. It will be held at Lake Livingston, Texas on June 16, 17, 18, 1981. We should know exactly on where the headquarters will be as soon as we receive the flyers from the host, Austin Club.

Last November a simple questionnaire was developed and disseminated to clubs for their response. The purpose is to collect as much information around and about other clubs. From the questionnaire, the editor can write up a simple article for the Tackle Box News. The result of questionnaire will be shown on some of the following pages.

PLAN TO ATTEND and PARTICIPATE in the 6th Annual NBAD Tournament at Lake Livingston, Texas on June 16-17-18, 1981. (Tues. Wed. Thur.)

Come alone, with partner or whole family. All kinds of activities will be planned to suit every one.

The articles about the bass clubs came from the questionnaire which were returned to the editors.

Moreland Sportsman Club of the Deaf was established on July 1980, beginning with 8 members. They hold their regular meeting once a month and also have a fishing contest once a month. Membership fee is 10.00 per member per year. Contest Entry fee range from 10.00 to 20.00. Their latest Contest was held at West Point Lake. Johnny Scott walked away as the winner with only 4½ lbs. He used small fry lures to fish with. Time allowed to fish was from 8 am to 5pm. For further information on this club, you may contact Johnny M. Scott; Maritn Mill Rd.; Moreland, Ga. 30259

Cave Spring Bass Club of the Deaf of Cave Spring, Georgia, was established some time after a few members had participated in the NBAD tournament at Lake Eufaula. Johnny Scott was elected as their first President. On July 4th they held their first tourney at lake Weiss in Alabama. It was a disapointed one because the weight in scales went unused. The bass men caught several bass but all were under the legal size and had to be released.

On August 31st they were determined to hold another tournament and at that time they were able to weight only two bass. Legal size for weight in is 12 inches or more. Ricky Copper called the Wizard Boy of Cave Spring, brought in a total weight of 4½ lbs. while the runner up Donald Loftin had only 1½lb. Ricky also had the largest lunker, a 3 lb. bass. Besides catching bass, most of the fishermen got heat rash and sun burnt.

For further information about Cave Spring Bass Club, contact President Johnny M. Scott; Rt. 1 Martin Mill Rd.; Moreland, Georgia; 30259

Be Prepared: NBAD Entry fee has gone up from \$30.00 to \$35.00 and no advance deposit will be accepted. Must pay in full of course there will be a deadline set to avoid an additional of \$5.00 penalty for late entry.

Entry forms should be mailed out very soon after you get this news.

All Bass clubs which wishes to be affliated with NBAD, must pay \$10.00 to NBAD's Treasurer.

1982! 1982! Where? Where???????

The 1982 Tournament was not awarded to any of the bidders at the 1980 tourney because they did not meet the NBAD's requirements that a Club send participants in the tourney for two straight years.

But there will be a 1982 tourney which maybe managed by NBAD itself if not given to one of the bass clubs, preferring one in eastern area.

This matter will be discussed at the 1981 Tourney.

Olathe Bass Club of the Deaf was established in 1977 after participating in the first NBAD Tournament in 1976. They begun with 33 members and are still going strong with 20.

Meeting is held once a month on first Wednesday throughout the year but they hold their fishing contests once a month from March through October. A total of 12 boats are owned by the members. Their membership fee is \$12.00 per year and this fee takes care of their monthly contests.

A record of each members catches is kept in a certain way, established by length of 12" to less than 15" with an estimated weigh given for each categorical. The ones at 15" or and longer will be wighted at the headquarters.

They have an annual banquet and awards night once a year to give awards to the winners. Their 1979 winners were:

1st. Tommy Rodgers
 2nd Charles Marsh
 3rd. Billy Klingensmith
 Largest Lunker - 4.14 lbs. T. Rodgers
 Sportsmanship - Keith Unruh

1980 Winners:

1st. Ken Clark
 2nd. Tom Rodgers
 3rd. Charles Marsh
 Largest Lunker - 3.8 Ken Clark

Their last outing was held at Osceola, Missouri. Ken Clark won it by the total wight of 3.8 lbs. He used a silver spoon with frog looking pork rind. Live bait is prohibited. Their fishing time varies between sun up and sun down. They have movies on outdoor life following their regular meeting.

They have an impressive schedule for their 1981 tournaments. Too numerous to print herein because of limited space.

On special occassions they will have a fillet and fish fry demonstration on Saturday, April 25, 1981 at 7 pm. Location to be announced later.

For further information, contact Thomas Rodgers; 1105 Scott; Olathe, Kan., 66061.

Lake Eufaula Bass Club of the Deaf was established prior the NBAD Tournament on February 1980 with 16 members. Now they have 18 members. They meet once a month and hold a fishing contest every other month. Membership fee is \$5.00 per year. Entry fee at each fishing contest is \$5.00 too. They had two fishing contest so far and Hebron Ford walked away as the winner of both contests. He said that he used blue jelly worm. The c contests were held on lake Eufaula. Time for fishing was from 5:30 am to 6 pm. For further information on this Club, write to Charles Estes; P.O. Box 15 ; Eufaula, Ala. 36027
 H. Ford's largest bass weight 3½ lb.

When were the Bass Clubs established? You will note that the first one was established in 1966 and the latest one in 1980. from the list.

Texas Bass Club of the Deaf	1966
Austin Sportsmen Club of the Deaf	1968
Dallas Bass Anglers Club of the Deaf	1968
Houston Bass Club of the Deaf	1968
Six Flage Bass Club of the Deaf (Tex)	1969
Baton Rouge Deaf Bass Anglers	1973
Centla Bass Club of the Deaf (Central La.)	1975
La. Bass Club of the Deaf	1975
** National Bass Association of the Deaf	1975
Mobile Bass Club of the Deaf	1977
Northeast La. Bass Club of the Deaf	1977
Olathe Bass Club of the Deaf	1977
Okla. Bass Association of the Deaf	1978
Shreveport Bass Club of the Deaf (La.)	1978
Cave Springs Bass Club of the Deaf (Ga)	1980
Indiana Bass Club of the Deaf	1980
Lake Eufaula Bass Club of the Deaf (ALa)	1980
Moreland Sportsman Club of the Deaf (Ga)	1980
Western Carolina Sportsman Club of the Deaf	1976 (S.C.)

New addition to NBAD's Tournament rules on boating safety. Boat decals, numbers from 1 to 10 are reserved for NBAD and Host Officials. The purpose of this is to make it easier for the participants to spot an officer on the water when they run into some trouble and need help.

A technical way is used at the weight in scales to prove that the bass was not dead for more than 24 hours. At the last tourney that technical way was used and really worked. It is normal for the bass to pass out in the live-wells after three or four hours if the live well does not circulate water good. At the weight in and before placing on the scales, they are placed into a tub or a bin of water if the passed out bass sinks to the bottom, they pass the test and go on to the scales for weight. Only dead bass which were dead for over 24 hours will float instead of sinking.

Western Carolina Sportsman Club of the Deaf was established some time around 1976 with 5 members. Now they have 10 members. Membership fee is \$5.00 per year. They meet 4 or 5 times a year and hold fishing contest once or twice a year. A non-member Roger Ray was the 1979 contest winner. The 1980 contest was called off because of unfavorable weather. Cotest entry fee is \$10.00 for members and \$12.00 for non-members. Fishing time is from 9 am to 5 pm. Their last outing was held at Hickory State Park in Clark Hill, South Carolina. The Lake is on the state line between S.C. and Georgia. For more information, write to President William M. Sizemore; 9 Konnarock Circle, Greenville, S.C., 29609

Baton Rouge Deaf Bass Anglers was established in February 1973 with 18 members and the membership has grown to 24 since it started. About half of them own streamlined bassboats.

The regular meeting is held on the first Saturdays of each month and they have a fishing contest on the following Saturday. In the past they were held on Sundays. At the regular meeting a site is selected and the members who will participate are paired by name drawings. No more than two contestants are allowed on one bassboat. They will hold their contests whether it shines, rains, freezes, is too hot and it is too high but the only time the President will call it off, is when the designated fishing lake or bayou runs dry or there is a hurricane with winds over 125 m.p.h.

The membership fee is \$15.00 for the first year and \$10.00 thereafter. An up-to-date record of each member's catches by each year is kept by the Vice President. A 20-point system is used to record each member's catches. At each monthly contest the entry fee is \$6.00 per person and out of it \$2.00 goes into the largest lunger pot and there it accumulates until one of the participants hit the pot. To win the pot the participant must catch a lunger weighting 4.8 lbs or over. The participating team wins cash prizes about 75% of the entry fee. Nick LeFors, Jr. won for the most earned points for both years, 1979 and 1980. In 1979 Eddie Wood won the lunger award, it was a 4.3 lb. In 1980 Nick Lefors, Sr. and Medford Magill each caught a lunger weighting over 5 lbs. M. Magill caught a 5 lb lunger twice at two different outing and also won the lunger pot twice in 1980.

At the year end the winner with most points receives a trophy and \$50.00 cash. the winner of the largest lunger for that year receives a trophy.

There is a state wide fishing contest but it is run by Louisiana Bass Association of the Deaf. All available Deaf Bass clubs in Louisiana are eligible to bid to host the LBAD Tournament. Most of the time it is held in the spring.

In all of the contests live bait is out lawed.

For further information of BRDBA, contact President Eugene Pippins; 2920 Elgin St.; Baton Rouge, La., 70805.

This funny incident was true and happened at one of the Baton Rouge Deaf Bass Angler's outing, on one cool morning while there were pockets of very heavy fog which limited their visibility almost to zero. A member and his partner were casting toward the banks, they drifted into one of the heaviest fogged areas, there one member felt a tug on his line. Assuming that it was a bass nipping on his line, he jerked his rod up hard to set the hook and started to reel it in quickly. While retrieving the tugging line, he looked up to his rod's tip, hoping that from there he would be able to trace out from what directions the tugging is coming from.

Upon finding that the line points skyward, he started to wonder if he caught a flying bass. Despite of the hard tug, he kept on retrieving until the tugging thing dropped down with a big splash near his boat. That was a big flapping barn owl which looked as surprise as he was with wide eyes. Thank goodness the owl was not injured and freed itself.

1980 TOURNAMENT RECORDS

WHERE: Lake Eufaula

WHEN: JUNE 17-18-19, 1980

NAME	1st	2nd	3rd	FINAL	TOTAL
J.B. Thomon Harry Trahan	9-14(6) 6-4(4)	7-13(3) 2-8(2)	1-13(1) 3-9(2)	19-8(10) 12-5(8)	31-13
Gene Amons Carl Dupree	5-7(4) -0-	6-10(3) 1-7(1)	5-4(3) 2-13(2)	17-5(10) 4-4(3)	21-9
Randy Poteat Denzil Fewell	-13(1) -0-	6-3(4) -0-	12-8(8) 1-1(1)	19-8(13) 1-1(1)	20-9
Nick LeFors Sr. Nick LeFors Jr.	6-12(2) -13(1)	1-13(1) 2-6(2)	1-10(1) 3-8(2)	10-3(4) 6-11(5)	16-6
Henry Havard John Lee	-0- 3-10(3)	-0- -15(1)	9-4(5) 2-9(1)	9-4(5) 7-2(5)	16-6
Patrick Stuckey Morris Porter	7-5(2) 1-13(1)	6-14(1) -0-	-0- -0-	14-3(3) 1-13(1)	16-0
Kenneth Covington Abel Garcia	3-12(1) -0-	-0- 6-1(4)	2-9(2) 1-7(1)	6-5(3) 7-8(5)	13-13
Norman Walker Lucius Walker	3-6(2) 3-0(1)	-0- 2-11(2)	2-7(2) 2-1(2)	5-13(4) 7-12(5)	13-9
Alfred Crager James Ford	-0- -0-	5-2(4) 1-0(1)	5-15(4) 1-7(1)	11-1(8) 2-7(2)	13-8
Jerry Pearson Morris Vanlandingham	5-11(2) -0-	2-11(2) 2-2(1)	2-15(2) -0-	11-5(6) 2-2(1)	13-7
Ed Wood Butch Roebuck	-0- -0-	3-11(3) 3-12(3)	1-2(1) 4-3(3)	5-7(4) 7-15(6)	13-6
Guy Barganier Billy Marsh	-0- -0-	2-6(1) 3-6(2)	6-13(2) -0-	9-3(3) 3-6(2)	12-9
Medford Magill Eugene Pippins	7-2(4) -15(1)	1-3(1) -0-	1-10(1) 1-6(1)	9-15(6) 2-5(2)	12-4
Joseph Spurlin Charles Estes	2-5(2) 4-13(1)	2-12(2) -0-	-0- -0-	5-1(4) 4-13(1)	9-14
Charles Marsh Jack Zook	5-9(3) -0-	1-5(1) 1-4(1)	-0- -15(1)	6-14(4) 2-3(2)	9-1
George Neill Jerry Mikus	1-5(1) -0-	-0- -0-	3-4(2) 4-3(2)	4-9(3) 4-3(2)	8-12
B.K. Harding Ray McClintock	-0- -15(1)	-0- 2-2(2)	-0- 5-8(4)	-0- 8-9(7)	8-9
Floyd Pitre Dale LeBlanc	1-3(1) -14(1)	1-4(1) 3-4(2)	-0- 2-0(1)	2-7(2) 6-2(4)	8-9

1980 TOURNAMENT RECORDS

WHERE: _____

WHEN: JUNE

NAME	1st	2nd	3rd	FINAL	TOTAL
Francis Shaneyfelt Wright Shaneyfelt	-0- 3-14(3)	-0- 1-14(1)	1-8(1) -0-	1-8(1) 5-12(4)	7-4
Oscar Boland Eugene Jordan	5-14(7) -0-	1-0(1) -0-	-0- -0-	6-14(8) -0-	6-14
Nolan Diaz Dale Brazzle	-0- -0-	-0- 1-1(1)	3-6(2) 1-8(1)	3-6(2) 2-9(2)	5-15
Billy Klingensmith Jeff Maronpot	-0- -14(1)	-0- 1-14(2)	-14(1) 1-3(1)	-14(1) 3-15(4)	4-13
John Kuglistseh George Evans	1-12(1) -0-	1-11(1) -0-	-0- -0-	3-7(2) -0-	3-7
Raymond Steele Larry Whittington	-0- -0-	-0- -0-	1-8(1) 1-5(1)	1-8(1) 1-5(1)	2-13
Ray Mitchell Ray Dopson	-0- -0-	-0- -0-	1-8(1) -15(1)	1-8(1) -15(1)	2-7
Winfred Larkin Virgil Bippins	-0- -0-	2-5(1) -0-	-0- -0-	2-5(1) -0-	2-5
Robert Southwell Homer West	1-0(1) 1-4(1)	-0- -0-	-0- -0-	1-0(1) 1-4(1)	2-4
Frank Osborne Johnn Scott	-0- -0-	-0- -0-	1-6(1) -0-	1-6(1) -0-	1-6
Hebron Ford Robert Sheffield	-0- -0-	1-4(1) -0-	-0- -0-	1-4(1) -0-	1-4
Connis Collins Kenvin Gill	-0- -0-	-0- -0-	-0- 1-4(1)	-0- 1-4(1)	1-4
Ken Roberts Mac Tigwell	1-2(1) -0-	-0- -0-	-0- -0-	1-2(1) -0-	1-2
Larry Whitworth Hayden Havard	-0- -0-	1-1(1) -0-	-0- -0-	1-1(1) -0-	1-1
Martin Bienvenue Ethridge	-0- -0-	-0- -0-	-0- -0-	-0- -0-	-0-
Ralph Lee Georgia Lee	-0- -0-	-0- -0-	-0- -0-	-0- -0-	-0-
Kenneth Jordan Pete Woodard	-0- -0-	-0- -0-	-0- -0-	-0- -0-	-0-

1980

TOURNAMENT RECORDS

WHERE: LAKE Eufaula

WHEN: JUNE 17-18-19

TUESDAY, JUNE 17, 1980--1st Day

J.B. Thomon 9-14 (6)
 Harry Trahan 6-4 (4) 16-2
 Patrick Stuckey 7-5 (2)
 Morris Porter 1-13 (1) 9-2
 Medford Magill 7-2 (4)
 Eugene Pippins -15 (1) 8-1

LUNKER--Nick LeFors Sr. 5 lbs 2 oz.

WEDNESDAY, JUNE 18, 1980--2nd Day

J.B. Thomon 7-13 (3)
 Harry Trahan 2-8 (2) 10-5
 Gene Amons 6-10 (3)
 Carl Dupree 1-7 (1) 8-1
 Ed Wood 3-11 (3)
 Butch Roebuck 3-12 (3) 7-7

LUNKER--Patrick Stuckey 6 lbs 14 oz.

THURSDAY, JUNE 19, 1980--3rd Day

Randy Poteat 12-8 (8)
 Denzil Fewell 1-1 (1) 13-9
 Henry Havard 9-4 (5)
 John Lee 2-9 (1) 11-13
 Gene Amons 5-4 (3)
 Carl Dupree 2-13 (2) 8-1

LUNKER--Guy Barganier 4 lbs 14 oz.

FINAL RESULTS

- #1 J.B.Thomon-Harry Trahan----- 31-13
- #2 Gene Amons-Carl Dupree----- 21-9
- #3 Randy Poteat-Denzil Fewell----- 20-9
- #4 Nick LeFors Sr.-Nick LeFors Jr.----- 16-6
- #5 Henry Havard-John Lee----- 16-6
- #6 Patrick Stuckey-Morris Porter----- 16-0
- #7 Kenneth Covington-Abel Garcia----- 13-13
- #8 Norman Walker-Lucius Walker----- 13-9
- #9 Alfred Crager-James Ford----- 13-8
- #10 Jerry Pearson-Morris Vanlandingham----- 13-7
- #11 Butch Roebuck-Ed Wood----- 13-6
- #12 Guy Barganier-Billy Marsh----- 12-9
- #13 Medford Magill-Eugene Pippins----- 12-4

? 1981 ?

LAKE Livingston

June 16-17-18 1981

NBAD Tackle Box News

ALL TIME RECORD

<u>Year</u>	<u>Champion</u>	<u>Where</u>
1976	Gene Amons of Louisiana	Pendleton Bridge (Toledo Bend, La.)
1977	Medford Magill of Louisiana	Frontier Park (Toledo Bend, Tex.)
1978	(Team) Wayne Carter of Tex. John Lee	Table Rock Lake (Missouri)
1979	(Team) Harry Trahan of La. Jimmy Semons	Frontier Park (Toledo Bend, Tex)
1980	(Team) Harry Trahan of La. J.B. Thoman	Eufaula Lake (Eufaula, Ala.)
1981	(Team) ???????????	Lake Livingston (Texas)

Individual Record for Heaviest Stringer since NBAD originated.

1977	Medford Magill	19.8 pounds	Toledo Bend
1980	J.B. Thoman (Tie)	19.8 Pounds	Eufaula Lake

New Record for Team Catch:

1980	Harry Trahan and J.B. Thoman	Eufaula Lake
	31.13 pounds	
1976	(largest Lunker) John Cloy of La.	7.2 lbs.

NBAD's Record for the most catches and weight:

1980	169 Bass were weighted
	357.8 pounds in all

Attendance Record:

1976	66 Bass participants	
1977	74 " " "	
1978	82 " " "	
1979	70 " " "	1981
1980	70 " " "	<u>?</u>

LAKE LIVINGSTON LAKE LIVINGSTON LAKE LIVINGSTON LAKE LIVINGSTON

1981 at Lake Livingston Texas

The Tournament entry forms should be mailed out very soon and if you have not received one, you may clip the bottom out and mail it to NBAD's Sec'y -Tres., Anthony Mowad, P.O. Box 667 ; Oakdale, Louisiana 71463

Name; _____

Address: _____

Your Partners name: _____
(If you have one)

Will you or your partner bring a boat? _____

Plan to rent a boat? _____

For more information, contact either one of the NBAD officers.

\$ 35.00 per fisher man